



M-35 Microminature Process Meter

With 0.4" high LED digits and detachable screw terminals.

Features

- Fully scalable 3 1/2 digit process meter for 4-20 mA, 0-10 mA, 0-2 V, 1-5 V, 0-10 V.
- 24 x 48 mm (0.94" x 1.89") bezel.
- 10 mm (0.4") high LED digits.
- Powered by 10-30 Vdc.
- Power isolated from signal.
- Detachable screw terminal connectors.
- EM certified (CE Mark).

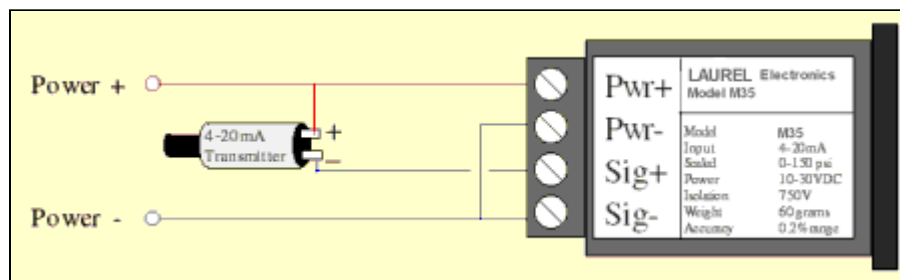


Description

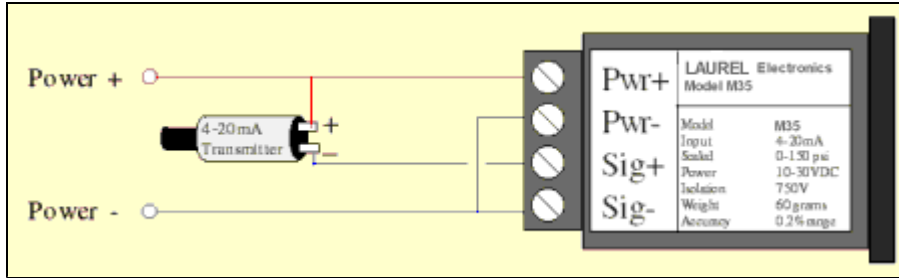
The **M-35 Microminature Process Meter** is the solution when panel space is limited or the size and weight of the indicator must be as small as possible. The bezel measures only 24 x 48 mm (0.94" x 1.89"), yet the height of the red LED digits is a full 10 mm (0.4").

The **M-35 is a fully scaleable 3 1/2 digit process meter** for 4-20 mA, 0-10 mA, 0-2 V, 1-5 V, and 0-10 V signals. It is powered from 10-30 Vdc, so that it can run off batteries. Power and signal are isolated to facilitate panel design, with no worries about ground loop errors. A detachable screw terminal connector provides a benefit rarely found on meters of this size.

Small size, low weight, and isolated DC power make the M-35 ideal for portable test equipment.



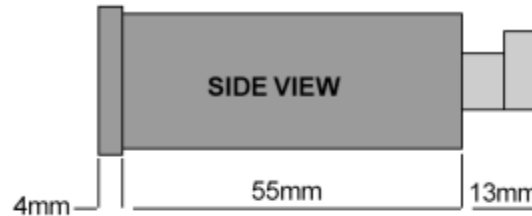
The above diagram for a typical pressure monitoring / manometer application shows how simple the M-35 is to connect. The same DC source powers the transducer and meter. Only three field wires are required.



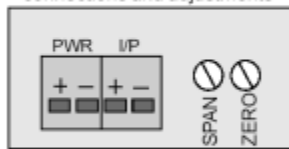
The above diagram for a typical pressure monitoring / manometer application shows how simple the M-35 is to connect. The same DC source powers the transducer and meter. Only three field wires are required.



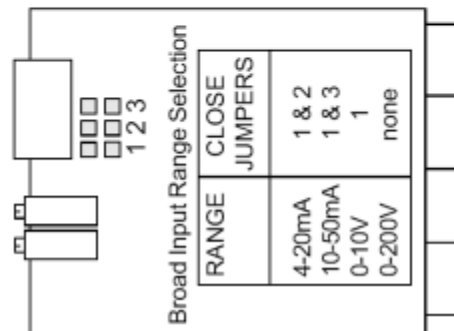
A removable screw terminal is standard. The connector pin assignments as well as the zero and span adjustments are clearly labeled on the back of the meter.



Rear view showing connections and adjustments



Decimal Point selection	
1888	no jumpers
1.888	Jumper C
18.88	Jumper B
188.8	Jumper A



Specifications

Signal	
Signal types	4-20 mA, 0-10 mA, 0-2 V, 1-5 V, 0-10 V
Signal polarity	Bipolar, single-ended.
Scaling method	Zero & span potentiometers
A/D conversion	Dual slope integration
Accuracy	0.2% of range
Display	
Number of digits	3 1/2
Display range	±1999
Display type	Red LED
Digit height	10 mm (0.39")
Decimal point selection	Plug-in jumpers behind front panel
Mechanical	
Bezel dimensions	24 x 48 mm (0.94" x 1.89"), H x W
Panel cutout	22.5 x 45 mm (0.89" x 1.77"), H x W
Depth behind panel	67 mm (2.64") including connector
Electrical connections	Four screw terminals, detachable connector
Weight	60 g (2 oz)
Electrical	
Signal isolation	750 Vac
Power to meter	10-30 Vdc, 0.6 W
Signal Input Impedance	180 Ohms for Current Inputs
Signal Input Impedance	1 Meg Ohm for Voltage Inputs
Environmental	
Operating temperature	-20°C to 60°C (-4°F to 140°F)
Storage temperature	-40°C to 80°C (-40°F to 176°F)

Ordering Guide

M-35 Microminature Process Meter

Includes plug-in screw terminal connectors.

DPM Type



M-35 Microminature Process Meter

\$185



Laurel Electronics, Inc.
Industrial Instrumentation & Displays